



**Astro Pneumatic
Tool Company**

372 Old US Highway 52 South
Mount Airy, NC 27030

Model:

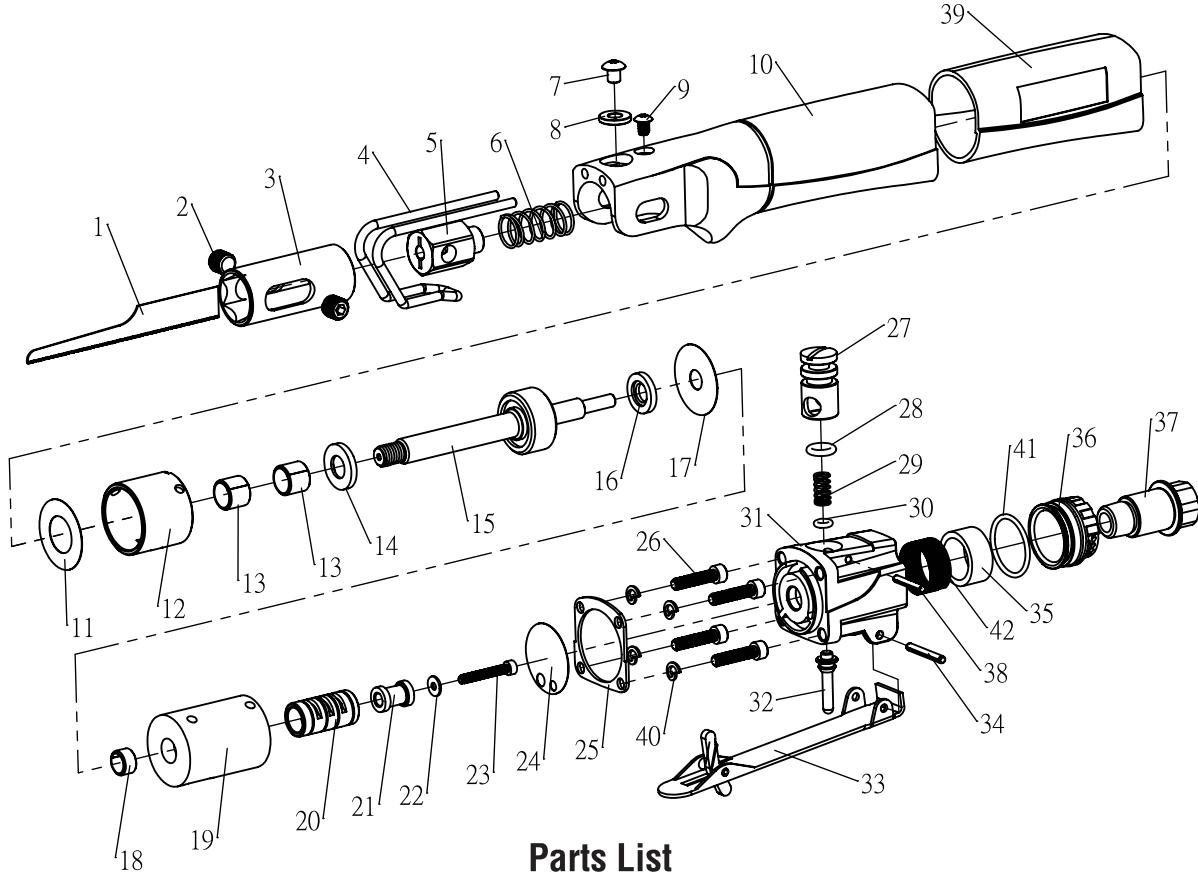
930

Product Type:

**AIR SABER SAW WITH 5pcs.
24 TEETH BLADE SET**

PARTS BREAKDOWN

Call 1.800.221.9705 for questions concerning performance of the product or other inquiries.



Parts List

Index	Part No.	Description	Qty
1	5SAW	5pc Blade Set-24 Teeth Per Inch	1
2	930-02	Screw	2
3	930-03	Chuck Guide	1
4	930-04	Work Guide	1
5	930-05	Blade Chuck	1
6	930-06	Spring	1
7	930-07	Screw	1
8	930-08	Washer	1
9	930-09	Screw	1
10	930-10	Housing	1
11	930-11	Packing	1
12	930-12	Cylinder	1
13	930-13	Bush (10x10)	1
14	930-14	Front Bumper	2
15	930-15	Piston Assy	1
16	930-16	Rear End Bumper	1
17	930-17	Packing	1
18	930-18	Bush (0806)	1

Index	Part No.	Description	Qty
19	930-19	Valve Case	1
20	930-20	Valve Steeve	1
21	930-21	Actuate Valve	1
22	930-22	Washer	1
23	930-23	Screw	2
24	930-24	Packing	1
25	930-25	Washer	1
26	930-26	Screw	4
27	930-27	Air Regulator	1
28	930-28	O-Ring	1
29	930-29	Valve Spring	1
30	930-30	O-Ring	1
31	930-31	Valve Housing	1
32	930-32	Throttle Valve	1
33	930-33	Throttle Lever Ass'y	1
34	930-34	Spring Pin (Ø 3x23)	1
35	930-35	Silencer	1
36	930-36	Exhaust Sleeve	1

Index	Part No.	Description	Qty
37	930-37	Inlet Bushing	1
38	930-38	Spring Pin (Ø2.5x18)	1
39	930-39	Cover	1
40	930-40	Spring Washer	1
41	930-41	O-Ring (Ø21.95x1.78)	1
42	930-42	Screen	1
43	930-43	Blade (24T)	1
44	930-44	Hexagon Wrench Key (3mm)	1
45	930-45	Hexagon Wrench Key (4mm)	1
46	930-46	Air File	1set